



---

# Installation Instructions Undercounter Dishwasher

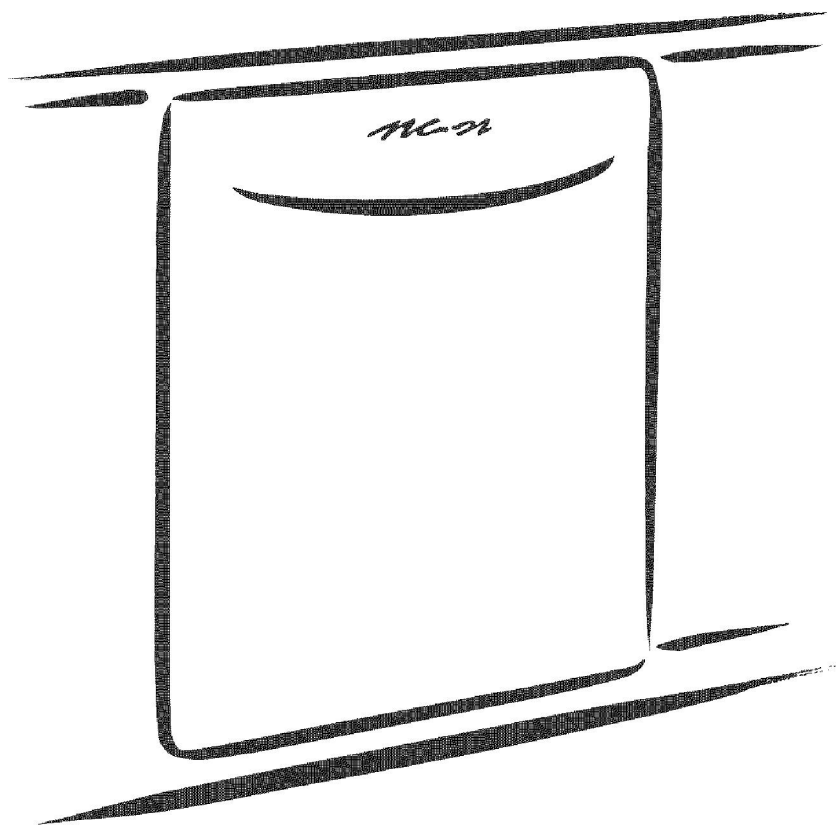
---

# Instrucciones de Instalación Lavavajillas empotrado

---

# Instructions d'installation Lave-vaisselle encastré

---



## Table of Contents

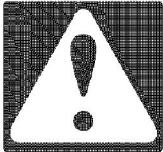
Dishwasher Safety .....	2
Installation Requirements .....	3
Tools and parts .....	3
Location Requirements .....	3
Drain Requirements .....	5
Water Supply Requirements .....	5
Electrical Requirements .....	5

Installation Instructions .....	6
Prepare cabinet opening using existing utility hookups .....	6
Prepare cabinet opening where there are no existing utility hookups .....	7
Prepare dishwasher .....	9
Make electrical connection .....	12
Connect to water supply .....	13
Connect to drain .....	14
Secure dishwasher in cabinet opening .....	14

## Dishwasher Safety

### Your safety and the safety of others are very important.

We have provided many important safety messages in this manual and on your appliance. Always read and obey all safety messages.



This is the safety alert symbol.

This symbol alerts you to potential hazards that can kill or hurt you and others.

All safety messages will follow the safety alert symbol and either the word "DANGER" or "WARNING."

These words mean:

**⚠ DANGER**

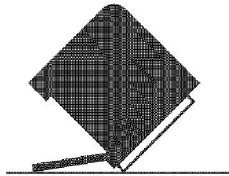
You can be killed or seriously injured if you don't immediately follow instructions.

**⚠ WARNING**

You can be killed or seriously injured if you don't follow instructions.

All safety messages will tell you what the potential hazard is, tell you how to reduce the chance of injury, and tell you what can happen if the instructions are not followed.

**⚠ WARNING**



**Tip Over Hazard**

**Do not use dishwasher until completely installed.**

**Do not push down on open door.**

**Doing so can result in serious injury or cuts.**

### You need to:

- Slowly open dishwasher door while someone grasps the rear of the dishwasher. Remove shipping materials, drain hose and lower rack. Close dishwasher door until latched.
- Observe all governing codes and ordinances.
- Install this dishwasher as specified in these instructions.
- Installation should be performed by a qualified service technician. The dishwasher must be installed to meet all electrical and plumbing national and local codes and ordinances.

# Installation Requirements

## Tools and Parts

Gather the required tools and parts before starting installation. Read and follow the instructions provided with any tools listed here.

### All installations

#### Tools needed:

- pliers
- Phillips screwdriver
- 5/16" and 1/4" nut drivers or hex sockets
- measuring tape or ruler
- 10" adjustable wrench that opens to 1-1/8" (2.9 cm)
- flat-blade screwdriver
- utility knife
- 2 twist-on wire connectors which are the proper size to connect your household wiring to 16-gauge wiring in dishwasher
- small level
- TORX® T15 screwdriver (if installing custom front panels)

- flashlight
- shallow pan
- electric drill with 3/32" bit
- 5/8" open-end wrench
- bath towel
- wood block

#### Parts needed:

- 90° elbow with 3/8" N.P.T. external threads on one end. (The other end must fit your water supply line.)
- Teflon® tape or pipe joint compound
- shims (if installed with built-up floor)
- 4 #10 x 1/2" wood screws (if installing custom front panels)

### In addition, for new installations

#### Tools needed:

- electric drill with 1/2", 3/4" and 1-1/2" hole saw bits
- small tubing cutter
- wire stripper
- 1-1/2"-2" screw-type clamp if connecting to waste-tee

#### Parts needed:

- copper tubing (3/8" recommended) or flexible stainless steel braided fill line
- clamp connector or conduit connector to fit a 7/8" (2.2 cm) diameter hole

#### Parts supplied

- A. 2 – drain hose clamps, 1 large and 1 small
- B. 2 – # 10 x 1/2" Phillips-head screws
- C. drain hose



Additional parts supplied with top-venting models only

- D. 2 #8 x 1-3/8" TORX® T15 screws
- E. 4 #10 x 3/8" hex-head screws

Additional part supplied with certain models

- F. Bottom sound pad (located in upper rack)

Make sure all these parts are included. If not included, call 1-800-422-1230.

See separate parts list for accessories available for your dishwasher.

® Teflon is a registered trademark of E.I. Du Pont de Nemours and Company.

® Registered trademark of TEXTRON.

## Location Requirements

Do not run drain lines, water lines or electrical wiring where they can interfere with or contact dishwasher motor or legs.

The location where the dishwasher will be installed must provide clearance between motor and flooring. Motor should not touch the floor.

Do not install dishwasher over carpeted flooring.

Protect dishwasher and water lines leading to dishwasher against freezing. Damage from freezing is not covered by the warranty.

A side panel kit is available from your dealer for installing your dishwasher at the end of your cabinetry.

A moisture barrier accessory (Part No. 4396277) is available from your dealer for installing underneath the countertop, but is not required. This may also be obtained by calling 1-800-422-1230.

Check location where dishwasher will be installed. The location must provide:

- easy access to water, electricity and drain.
- convenient access for loading and unloading dishes. Corner locations require a 2" (5.1 cm) minimum clearance between the side of the dishwasher door and the wall or cabinet.
- square opening for proper operation and appearance.
- cabinet front perpendicular to floor.
- level floor. (If floor at front of opening is not level with floor at rear of opening, shims may be needed to level dishwasher.)

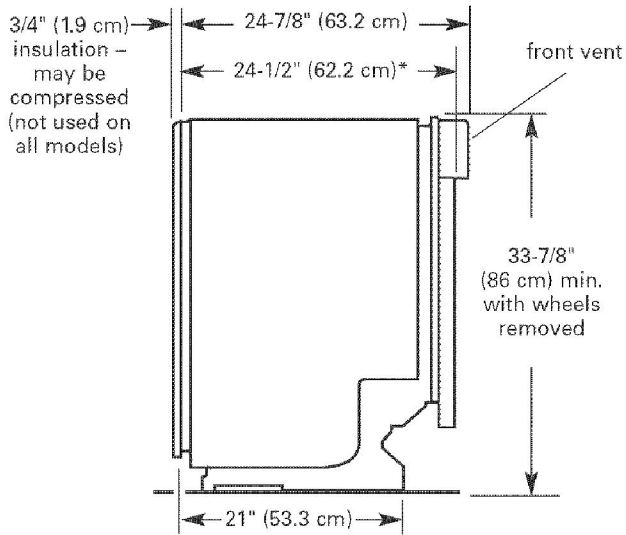
**NOTE:** To prevent shifting during dishwasher operation, shims must be securely attached to the floor.

If dishwasher will be left unused for a period of time or in a location where it may be subject to freezing, have it winterized by authorized service personnel.

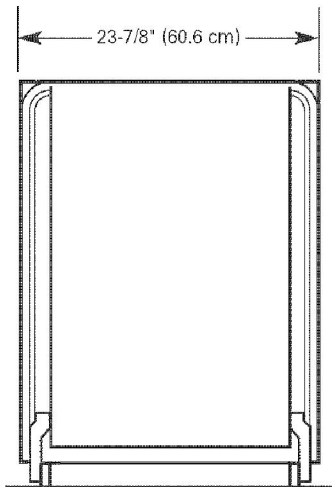
Make sure pipes, wires and drain hose are within the shaded area shown in the "Cutout dimensions" section.

**Helpful Tip:** If the floor in the dishwasher opening is uneven (example: tile flooring only partway into opening) you will need to take special care in measuring dimensions and in leveling dishwasher.

## Product dimensions

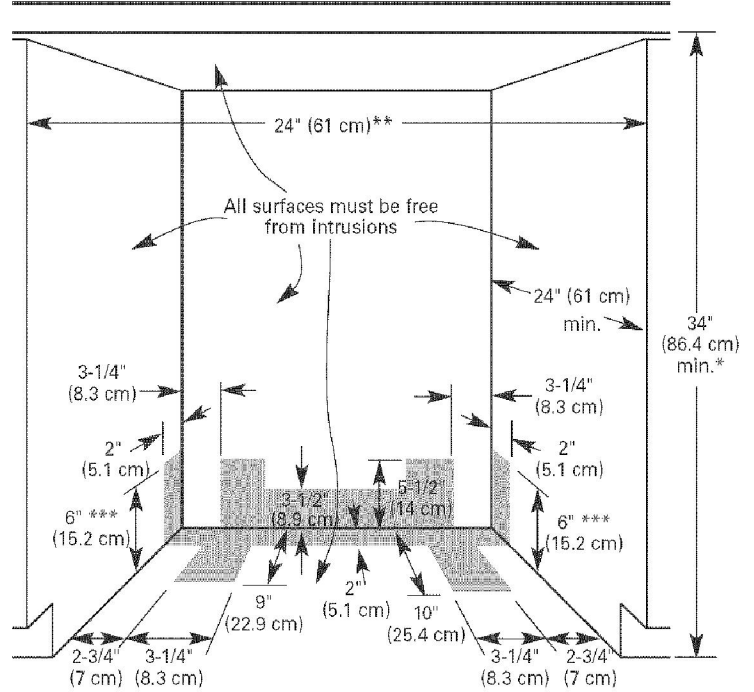


SIDE VIEW



REAR VIEW

## Cutout dimensions



Cut holes in shaded area of cabinet walls or floor as specified below:

- water line – 1/2" (1.3 cm)
- drain line – 1-1/2" (3.8 cm)
- direct wire – 3/4" (1.9 cm)
- power supply cord – 1-1/2" (3.8 cm)

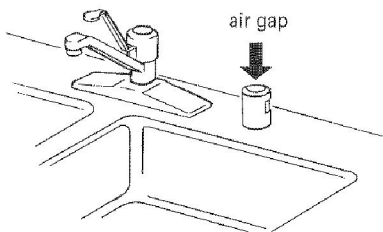
\* Measured from the lowest point on the underside of countertop. May be reduced to 33-7/8" (86 cm) by removing wheels from dishwasher.

\*\* Minimum, measured from narrowest point of opening.

\*\*\* May be increased to 6-5/8" (16.6 cm) if height of opening is 34-1/2" (87.6 cm) at its lowest point.

## Drain Requirements

- Use the new drain hose supplied with your dishwasher. If this is not long enough, use a new drain hose with a maximum length of 12 feet (3.7 m) that meets all current AHAM/IAPMO test standards, is resistant to heat and detergent, and fits the 1" (2.5 cm) drain connector of the dishwasher.
- Connect drain hose to waste tee or disposer inlet above drain trap in house plumbing and 20" (50.8 cm) minimum above the floor. It is recommended that the drain hose either be looped up and securely fastened to the underside of the counter, or be connected to an air gap.



- Use an air gap if the drain hose is connected to house plumbing lower than 20" (50.8 cm) above subfloor or floor.
- Use 1/2" minimum I.D. drain line fittings.

## Water Supply Requirements

- A hot water line with 20-120 psi (138-862 kPa) water pressure.
- 120°F (49°C) water at dishwasher.
- 3/8" O.D. copper tubing with compression fitting or flexible stainless steel braided fill line (1/2" minimum plastic tubing is not recommended).
- A 90° elbow with 3/8" N.P.T. external pipe threads on one end.

Do not solder within 6" (15.2 cm) from water inlet valve.

## Electrical Requirements

Contact a qualified electrician.

Assure that the electrical installation is adequate and in conformance with all national and local codes and ordinances.

You must have:

- 120-volt, 60 Hz, AC-only, 15 or 20 amp., fused electrical supply.
- Copper wire only.

We recommend:

- A time-delay fuse or circuit breaker.
- A separate circuit.

**If direct wiring dishwasher:**

- Use flexible, armored or non-metallic sheathed, copper wire with grounding wire that meets the wiring requirements for your home and local codes and ordinances.
- Use strain relief method provided with house wiring junction box or install a U.L.-listed/CSA-certified clamp connector to the house wiring junction box. If using conduit, use a U.L.-listed/CSA-certified conduit connector.

**If connecting dishwasher with a power supply cord:**

- Use Power Supply Cord Kit (Part No. 4317824) marked for use with dishwashers. Kit contents include:
  - Volex, Inc., UL listed 16 gauge 3 wire power supply cord with 3 prong grounded plug.
  - Neer C-500 7/8 inch strain relief.
  - 3 wire connectors.
  - Part No. 302797 grommet

Follow the kit instructions for installing the power supply cord.

- Power supply cord must plug into a mating three prong, grounded outlet, located in the cabinet next to the dishwasher opening. Outlet must meet all local codes and ordinances.

# Installation Instructions

## ⚠ WARNING



### Electrical Shock Hazard

Disconnect electrical power at the fuse box or circuit breaker box before installing dishwasher.

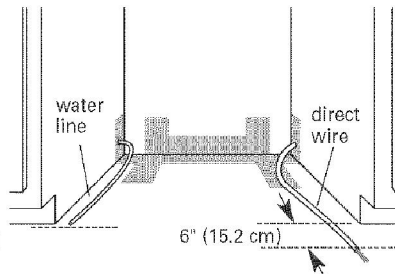
Failure to do so can result in death or electrical shock.

1. Disconnect power.
2. Turn off water supply.

## Prepare cabinet opening using existing utility hookups

- Follow the steps in this section if you are installing the dishwasher in an existing cabinet opening with utility hookups.
- If you are installing the dishwasher in a cabinet opening that does not have hookups, follow the steps under "Prepare cabinet opening where there are no existing utility hookups" section.

1. Check that the water line reaches to the front left of opening where the water connection will be made.
2. Check that the direct wire reaches to the front right of opening where the electrical connection will be made.

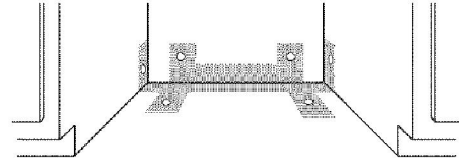


If the water line and the direct wire reach far enough into the opening, proceed to the next section "Install the drain hose." If they do not reach far enough, follow the steps under "Prepare cabinet opening where there are no existing utility hookups."

## Install the drain hose

**IMPORTANT:** Always use a new drain hose even when installing a new replacement dishwasher.

1. Drill a 1-1/2" (3.8 cm) diameter hole in cabinet wall or floor on the side of the opening closest to the sink.



2. Connect drain hose to waste tee or waste disposer using one of the following methods:

- Option 1, Waste disposer – with air gap
- Option 2, No waste disposer – with air gap
- Option 3, Waste disposer – no air gap\*
- Option 4, No waste disposer – no air gap\*

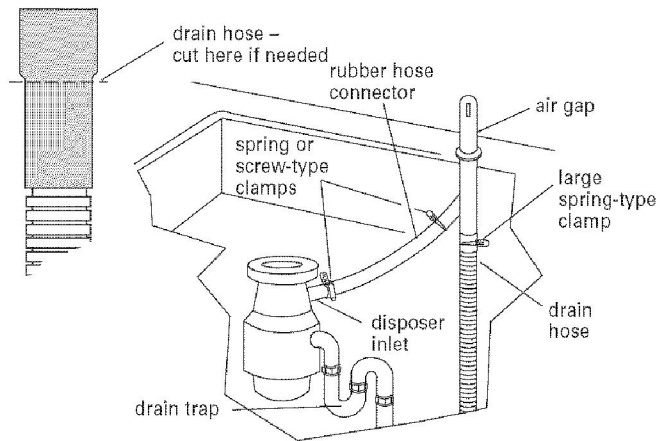
\*an air gap is recommended

**Helpful Tip:** To reduce the vibration of the hose, keep the hose away from the floor and the edge of the hole where it passes through the cabinet.

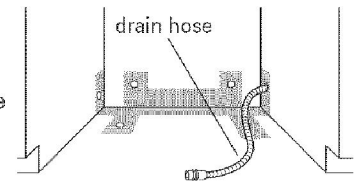
### Option 1: Waste disposer – with air gap:

1. Remove the disposer knockout plug. Cut end of drain hose if needed (do not cut ribbed section).
2. Attach drain hose to air gap with large spring-type clamp. If the drain hose was cut, use a 1-1/2" to 2" (3.8 to 5 cm) screw-type clamp\*.
3. Use a rubber hose connector\* with spring or screw-type clamps\* to connect air gap to disposer inlet.

This connection must be before the drain trap and at least 20" (50.8 cm) above the floor where dishwasher will be installed.



4. Insert drain hose through hole cut in cabinet to the front center of opening where drain connection will be made.

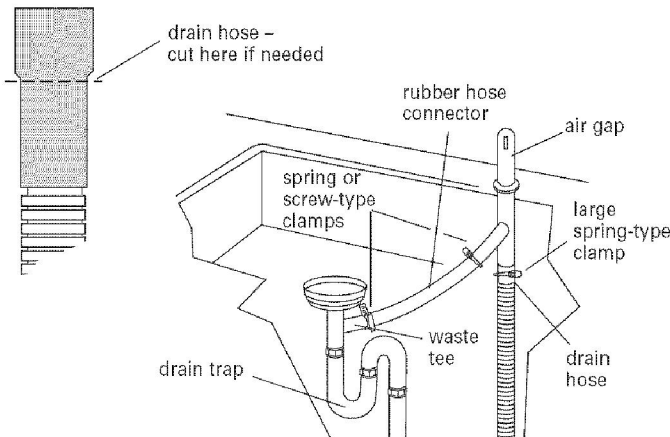


\* Parts available from local plumbing supply stores

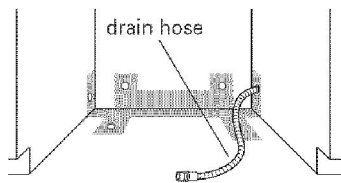
### Option 2: No waste disposer – with air gap:

1. Cut end of drain hose if needed (do not cut ribbed section).
2. Attach drain hose to air gap with large spring-type clamp. If the drain hose was cut, use a 1-1/2" to 2" (3.8 to 5 cm) screw-type clamp\*.
3. Use a rubber hose connector\* with spring or screw-type clamps\* to connect air gap to waste tee.

This connection must be before the drain trap and at least 20" (50.8 cm) above the floor where dishwasher will be installed.



4. Insert drain hose through hole cut in cabinet to the front center of opening where drain connection will be made.

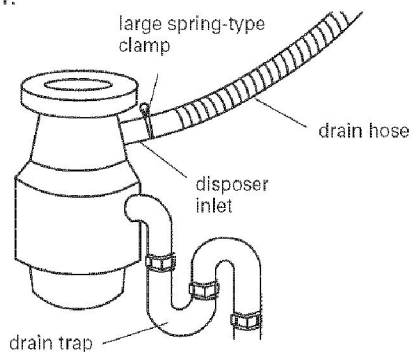


\* Parts available from local plumbing supply stores

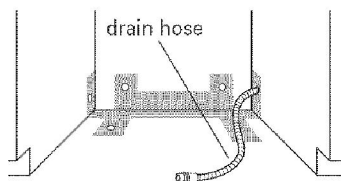
### Option 3: Waste disposer – no air gap:

1. Remove the disposer knockout plug. Do not cut end of drain hose.
2. Attach drain hose to disposer inlet with large spring-type clamp.

This connection must be before the drain trap and at least 20" (50.8 cm) above the floor where dishwasher will be installed. It is recommended that the drain hose be looped up and securely fastened to the underside of the counter.



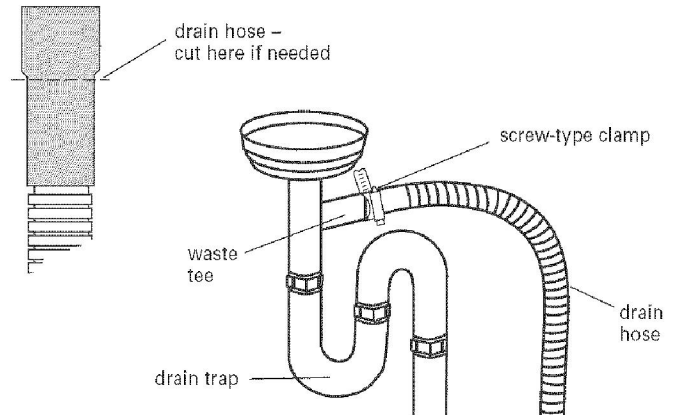
3. Insert drain hose through hole cut in cabinet to the front center of opening where drain connection will be made.



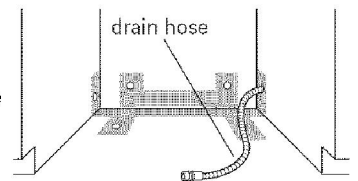
### Option 4: No waste disposer – no air gap:

1. Cut end of drain hose if needed (do not cut ribbed section).
2. Attach drain hose to waste tee with 1-1/2" to 2" (3.8 to 5 cm) screw-type clamp\*.

This connection must be before the drain trap and at least 20" (50.8 cm) above the floor where dishwasher will be installed. It is recommended that the drain hose be looped up and securely fastened to the underside of the counter.



3. Insert drain hose through hole cut in cabinet to the front center of opening where drain connection will be made.



\* Parts available from local plumbing supply stores

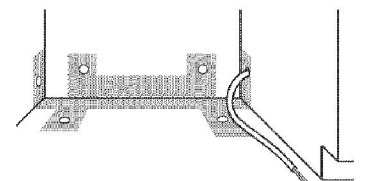
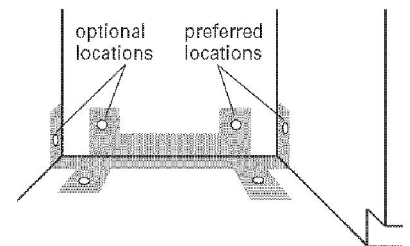
## Prepare cabinet opening where there are no existing utility hookups

### Electrical connection

#### Option1: Direct wire method:

**Helpful Tip:** Wiring the dishwasher will be easier if you route wire into the cabinet opening from the right side.

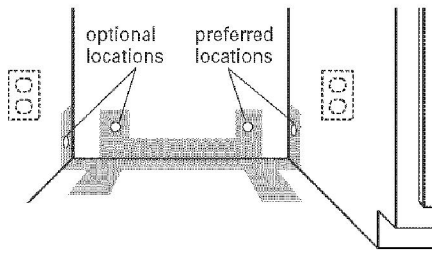
1. Drill a 3/4" (1.9 cm) hole in right-hand cabinet side, rear or floor. Preferred and optional locations are shown.
2. Wood cabinet: Sand hole until smooth.  
Metal cabinet: Cover hole with grommet, not provided.
3. Run wire into house wiring junction box.
4. Install a U.L.-listed/CSA-certified clamp connector (strain relief) for flexible-type wire. If installing conduit, attach a U.L.-listed/CSA-certified conduit connector to the junction box.
5. Run other end of wire through cabinet hole. Cable must extend to the right front of cabinet opening.



## Option 2: Power supply cord method:

**NOTE:** A mating, three prong, ground-type wall receptacle is required in a cabinet next to the dishwasher opening.

1. Drill a 1-1/2" (3.8 cm) hole in the cabinet rear or side. Preferred and optional locations are shown.



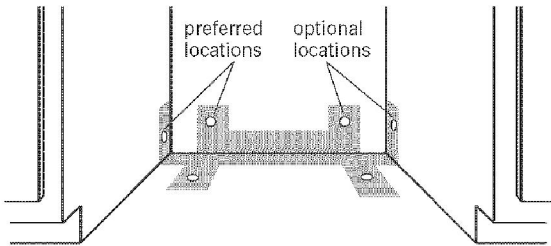
2. Wood cabinet: Sand hole until smooth.

Metal cabinet: Cover hole with grommet (Part No. 302797) included with power supply cord kit.

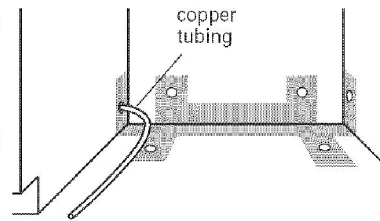
## Install the water line

**Helpful Tip:** Routing the water line through the left side of cabinet opening will make water connection easier.

1. Drill a minimum 1/2" (1.3 cm) hole in the cabinet side, rear or floor. Preferred and optional locations are shown.



2. Measure overall length of copper tubing required.
3. Attach copper tubing to the water line with a manual shutoff valve.
4. Slowly feed copper tubing through hole in cabinet. Copper tubing will bend and kink easily, so be gentle. The copper tubing should be far enough into the cabinet opening to connect it to dishwasher inlet on the front left of the dishwasher.
5. Turn water shutoff valve to "ON" position. Flush water into a shallow pan to get rid of particles that may clog the inlet valve.
6. Turn shutoff valve to "OFF" position.



## Install the drain hose

**IMPORTANT:** Always use a new drain hose.

1. Drill a 1-1/2" (3.8 cm) diameter hole in cabinet wall or floor on the side of the opening closest to the sink.
2. Connect drain hose to waste tee or waste disposer using one of the following methods:

- Option 1, Waste disposer – with air gap
- Option 2, No waste disposer – with air gap
- Option 3, Waste disposer – no air gap\*
- Option 4, No waste disposer – no air gap\*

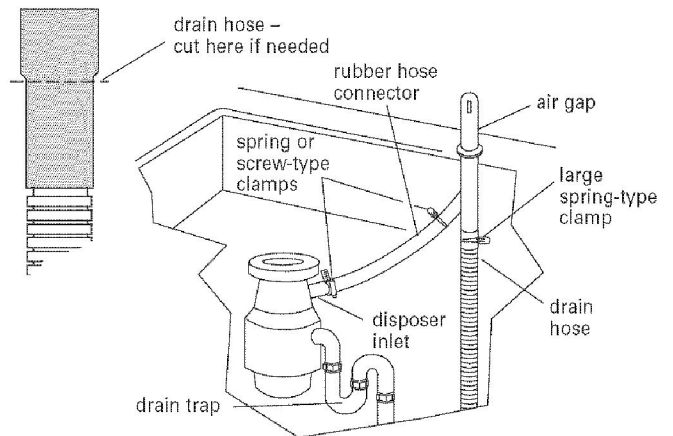
\*an air gap is recommended

**Helpful Tip:** To reduce the vibration of the hose, keep the hose away from the floor and the edge of the hole where it passes through the cabinet.

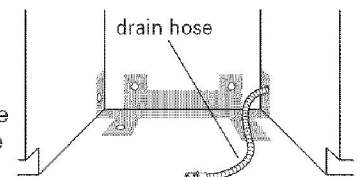
### Option 1: Waste disposer – with air gap:

1. Remove the disposer knockout plug. Cut end of drain hose if needed (do not cut ribbed section).
2. Attach drain hose to air gap with large spring-type clamp. If the drain hose was cut, use a 1-1/2" to 2" (3.8 to 5 cm) screw-type clamp\*.
3. Use a rubber hose connector\* with spring or screw-type clamps\* to connect air gap to disposer inlet.

This connection must be before the drain trap and at least 20" (50.8 cm) above the floor where dishwasher will be installed.



4. Insert drain hose through hole cut in cabinet to the front center of opening where drain connection will be made.



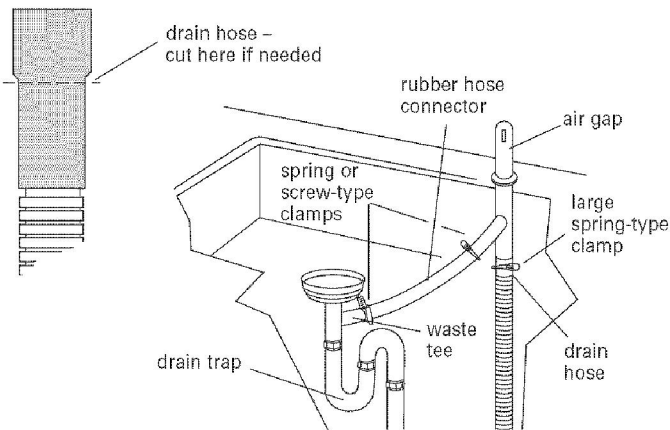
\* Parts available from local plumbing supply stores



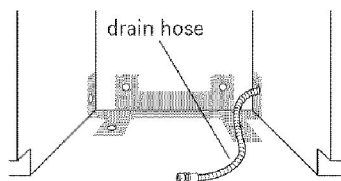
### Option 2: No waste disposer – with air gap:

1. Cut end of drain hose if needed (do not cut ribbed section).
2. Attach drain hose to air gap with large spring-type clamp. If the drain hose was cut, use a 1-1/2" to 2" (3.8 to 5 cm) screw-type clamp\*.
3. Use a rubber hose connector\* with spring or screw-type clamps\* to connect air gap to waste tee.

This connection must be before the drain trap and at least 20" (50.8 cm) above the floor where dishwasher will be installed.



4. Insert drain hose through hole cut in cabinet to the front center of opening where drain connection will be made.

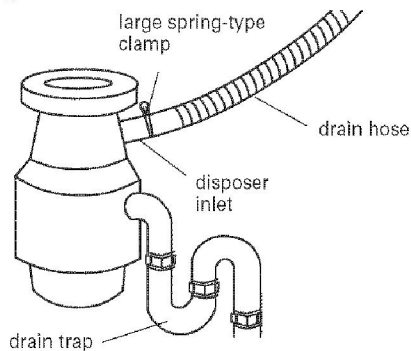


\* Parts available from local plumbing supply stores

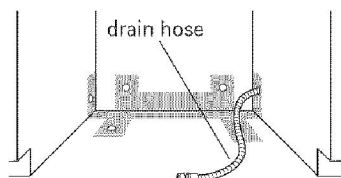
### Option 3: Waste disposer – no air gap:

1. Remove the disposer knockout plug. Do not cut end of drain hose.
2. Attach drain hose to disposer inlet with large spring-type clamp.

This connection must be before the drain trap and at least 20" (50.8 cm) above the floor where dishwasher will be installed. It is recommended that the drain hose be looped up and securely fastened to the underside of the counter.



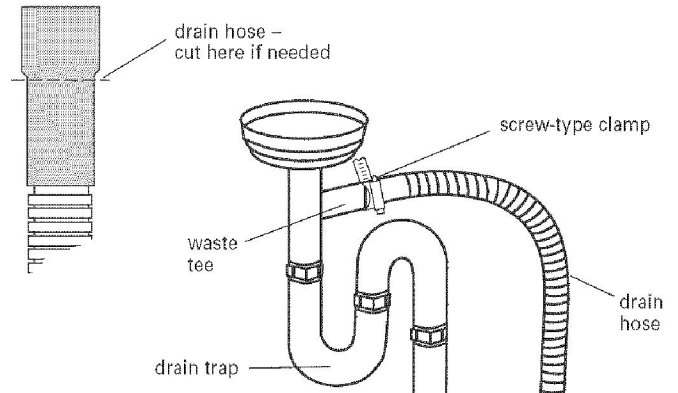
3. Insert drain hose through hole cut in cabinet to the front center of opening where drain connection will be made.



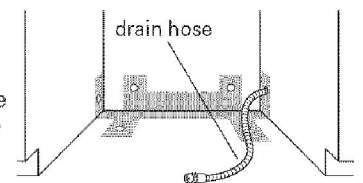
### Option 4: No waste disposer – no air gap:

1. Cut end of drain hose if needed (do not cut ribbed section).
2. Attach drain hose to waste tee with 1-1/2" to 2" (3.8 to 5 cm) screw-type clamp\*.

This connection must be before the drain trap and at least 20" (50.8 cm) above the floor where dishwasher will be installed. It is recommended that the drain hose be looped up and securely fastened to the underside of the counter.



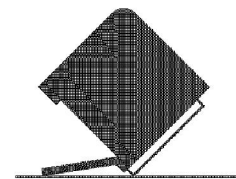
3. Insert drain hose through hole cut in cabinet to the front center of opening where drain connection will be made.



\* Parts available from local plumbing supply stores

## Prepare dishwasher

### ⚠ WARNING



#### Tip Over Hazard

Do not use dishwasher until completely installed.

Do not push down on open door.

Doing so can result in serious injury or cuts.

### ⚠ WARNING

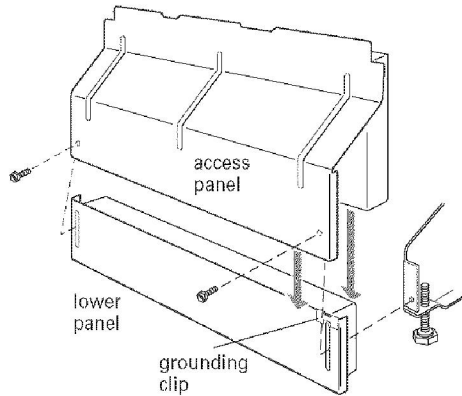
#### Excessive Weight Hazard

Use two or more people to move and install dishwasher.

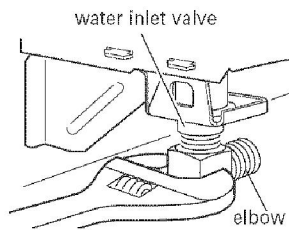
Failure to do so can result in back or other injury.

1. Put corner posts from packaging behind dishwasher. Grasp sides of dishwasher door frame and put dishwasher on its back, resting on top of the corner posts.

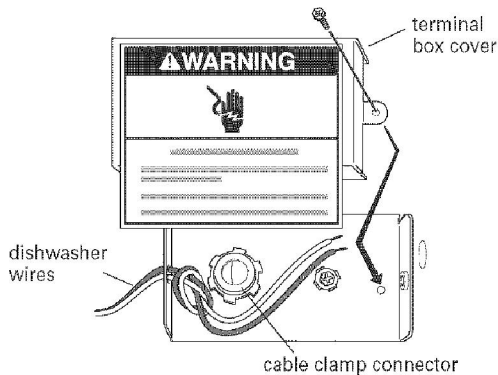
- Remove two screws attaching access panel and lower panel to dishwasher using a 1/4" hex socket, nut driver or Phillips screwdriver.
- Remove panels and set panels aside on a protective surface.
- Check that grounding clip is attached to the lower panel.



- Apply Teflon® tape or pipe joint compound to 90° elbow fitting and connect fitting to water inlet valve.
- Tighten elbow until snug, and be sure that it faces to the rear.
- Remove terminal box cover. Pull appliance wires through hole in terminal box. Do not untie the knot in the wires.

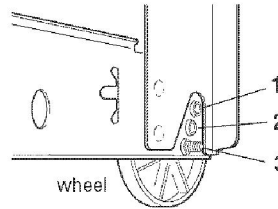
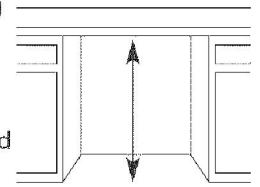


- If you are direct wiring: install a U.L.-listed/CSA-certified clamp connector to the terminal box. If using conduit, use a U.L.-listed/CSA-certified conduit connector.
- If you are installing a power supply cord kit, do so now, following kit instructions.



**Helpful Tip:** Put cardboard under dishwasher until it is installed in cabinet opening. The cardboard will help protect floor covering during installation.

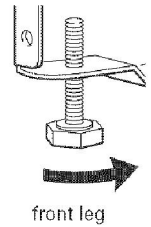
- Measure height of cabinet opening from underside of countertop to floor where dishwasher will be installed (you need the lowest point). Check chart for that height opening. Put wheels in the required position.



Minimum cutout height	Wheel position	Number of turns on front leg
34" (86.4 cm)	1	10
34-1/4" (87 cm)	2	5
34-1/2" (87.6 cm)	3	0

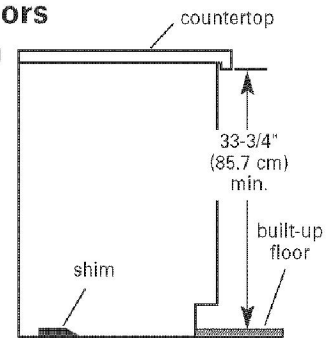
- Turn both front leveler legs to the same height.

If the minimum cutout height is less than 34" (86.4 cm), the rear wheels can be removed for additional clearance. This will allow the dishwasher to fit into a 33-7/8" (86 cm) high cutout, but the dishwasher will be more difficult to move into position. If the wheels are removed, protect the floor when moving the dishwasher.

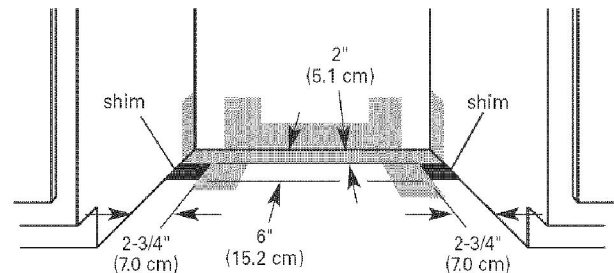


## If you have built-up floors

- Measure height of opening from underside of countertop to built-up floor. If the height is at least 33-3/4" (85.7 cm), the dishwasher will fit into the opening without modification to the countertop or flooring.
- Put wheels in position 1 and turn the front leveler legs up all the way.
- Add shims as needed in the area shown to bring dishwasher up to proper height.



**NOTE:** Shims must be securely attached to floor to prevent their movement when the dishwasher is operated.

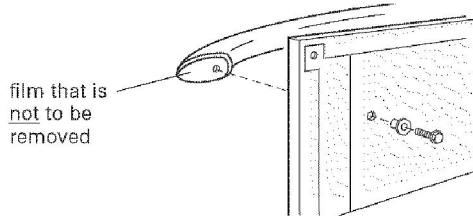


## Install the door handle (on some models)

**IMPORTANT:** Do not scratch the front panel during this procedure.

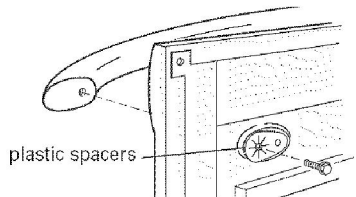
### Architect™ Series

1. Remove the Architect™ Series handle, plastic washers and two screws from handle package.
2. Attach the handle to the factory-supplied full front panel as shown.



### Pro Line™ Series

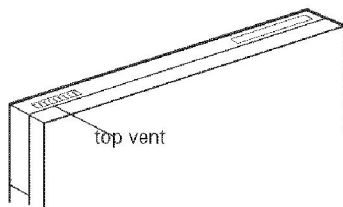
1. Remove the Pro Line™ Series handle and two screws from handle package.
2. Make sure plastic spacers are still attached to the door.
3. Attach the handle to the factory-supplied full front panel as shown.



## Install door panel (on some models)

### Top vented models

**NOTE:** Features on your dishwasher may differ from model shown.



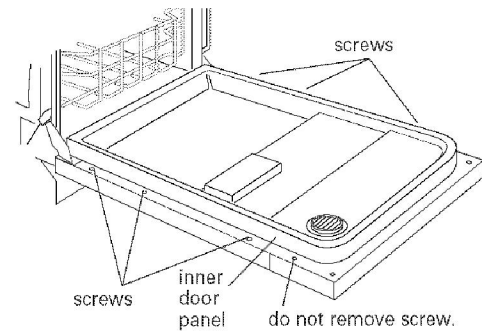
#### Option 1:

For Top vented models with a factory-supplied stainless or painted full front panel:

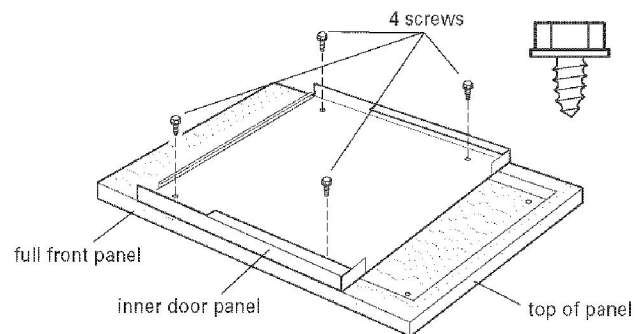
1. Remove the carton containing the factory-supplied full front panel.
2. Remove the handle package from the front of the shipping base.
3. Remove the inner panel from the door.
4. With a TORX® screwdriver, remove three screws from both sides of the door. Hold the inner panel up while removing the screws.

5. Gently set panel aside.

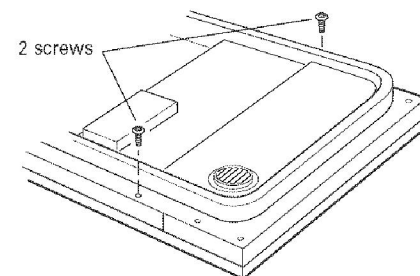
**NOTE:** Some models have 4 screws per side.



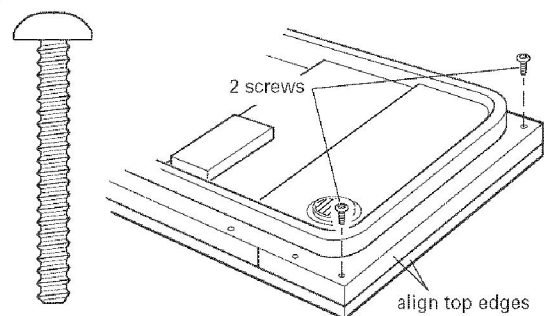
6. Lay the factory-supplied full front panel face down on a protective non-scratching surface.
7. Place the inner panel on the back of the full front panel as shown and attach, using the four #10-16 x 3/8" screws in the literature package.



8. Attach the factory-supplied full front panel, inner panel, and handle assembly to the door.
9. Reinstall the two uppermost screws into the inner panel, do not tighten completely. This will hold the full front panel in place on the door frame.



10. Install the two #8-18 x 1-3/8" screws from the literature package in the top corners of the door.
11. Align the top edge of the full front panel with the top edge of the console and secure corner screws.
12. Tighten the two screws installed in Step 9.
13. Reinstall and tighten the remaining screws in the inner panel.



## Option 2:

Top vented models with a custom full front panel.

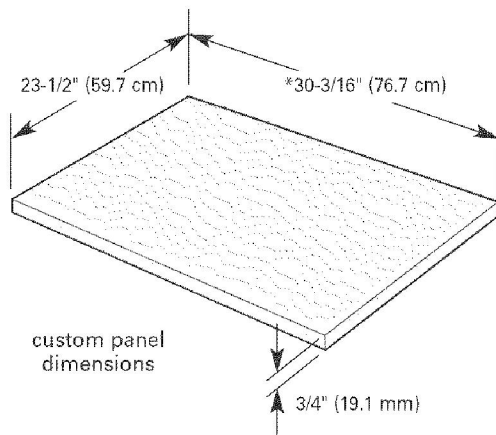
**NOTE:** The handle for the custom panel is not included.

**IMPORTANT:** If the handle is attached from the back of the custom panel, the screw heads must be flush with the panel. If the handle is attached to the front of the custom panel, the screw lengths cannot exceed the panel thickness. For more information on KitchenAid custom handle selection, refer to the KitchenAid Catalog, visit [www.kitchenaid.com](http://www.kitchenaid.com), or call 1-800-422-1230.

**NOTE:** A custom full front panel must weigh no more than 16 pounds (7.3 kg) and must be made to specific dimensions. It is recommended that a cabinetmaker cut the custom panel because of the precise dimensions needed.

**NOTE:** All mounting hardware supplied are for a 3/4" (19.1 mm) thick wood panel. If a thinner wood panel, or materials other than wood are used, it is the consumer's responsibility to obtain the proper length screws and adjust the pilot holes accordingly.

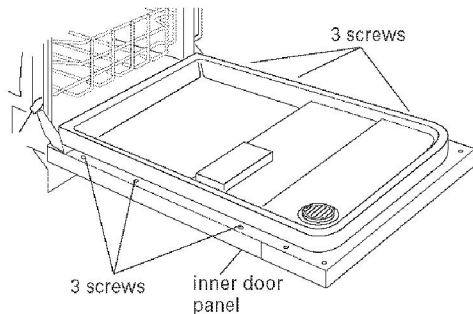
**IMPORTANT:** Use a moisture resistant sealer on both sides and all edges of the panel to protect it from humidity.



\*This dimension is for 4" (10.2 cm) toe kick. If the installation needs a higher toe kick, adjust the height of the wood panel accordingly. Not recommended for toe kicks greater than 6" (15.2 cm).

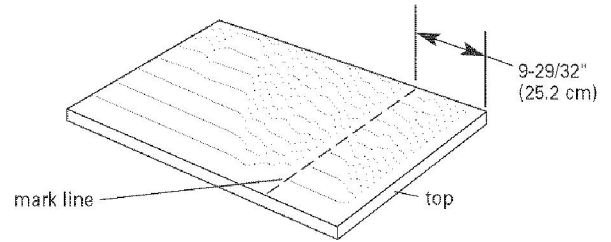
1. Remove the inner panel from the door.
2. With a TORX® screwdriver, remove three screws from both sides of the door.
3. Hold the inner panel up while removing the screws.
4. Gently set panel aside.

**NOTE:** Some models have four screws per side.

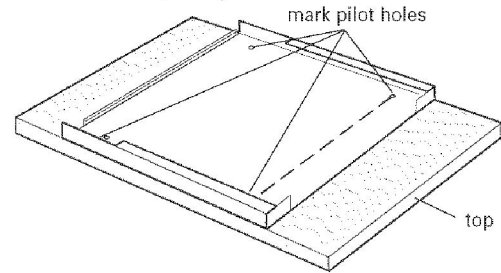


5. Lay the custom full front panel face down on a protective, non-scratching surface.

6. Measure 9-29/32" (25.2 cm) from top of panel and mark a line on the back of panel.

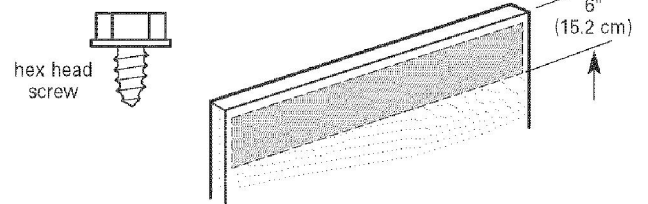


7. Place the inner panel on the back of the custom panel so that the top holes in the inner panel are on the line, and the panels are centered side to side.
8. Mark all 4 holes, remove inner panel and drill 3/32" pilot holes 1/2" (13 mm) deep.

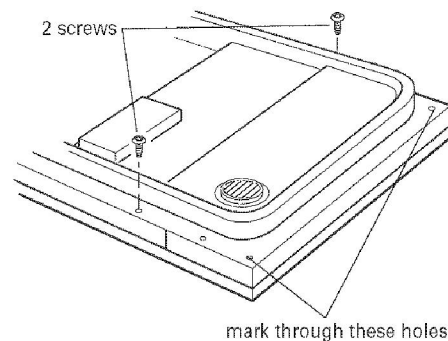


9. Place the inner panel on the back of the custom panel as shown.
10. Attach with the four #10-16 x 3/8" hex head screws from the literature package.
11. Attach the handle. The handle should be centered on the front of the custom panel in the area shown.

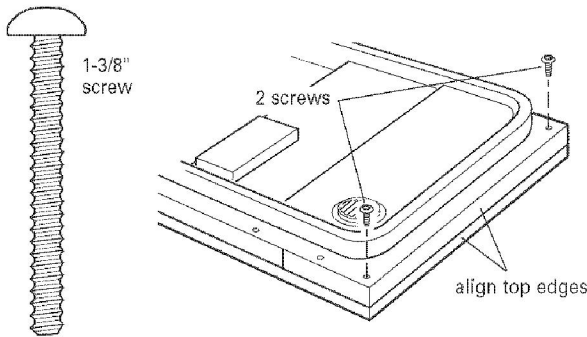
**IMPORTANT:** Screw heads must be flush with back of custom panel.



12. Attach the custom panel, inner panel, and handle assembly to the door.
13. Reinstall the two upper most screws into the inner panel, do not tighten completely. This will hold the custom panel assembly in place on the door frame.
14. Align the top edge of the custom panel with the top of the console.
15. Mark two holes on the custom panel through the holes in the upper corners of the inner panel and console, as shown.



16. Remove the two screws and the custom panel and drill two – 3/32" pilot holes 1/2" (13 mm) deep, where marked.
17. Reattach the custom panel, inner panel and handle assembly to the door.
18. Reinstall the two upper most screws into the inner panel. Do not tighten completely. This will hold the custom panel assembly in place on the door frame.
19. Install the two #8-18 x 1-3/8" screws from the literature package in the top corners of the door.
20. Align the top edge of the full front panel with the top edge of the console and secure corner screws. Tighten the two remaining screws installed in Step 18. Reinstall and tighten the remaining screws in the inner panel.

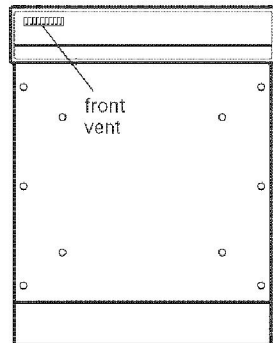


### Front vented models

If the front of your dishwasher looks like this, it is designed for a custom panel.

Model shown – KUDS01D\_SP.

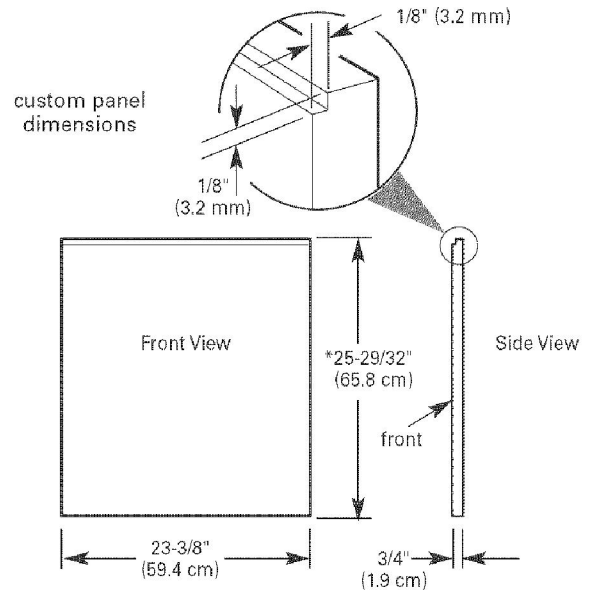
All other models require an accessory option to attach custom panels.



**NOTE:** A custom front panel must weigh no more than 14 pounds (6.3 kg) and must be made to these dimensions. It is recommended that a cabinetmaker cut the custom panel because of precise dimensions needed.

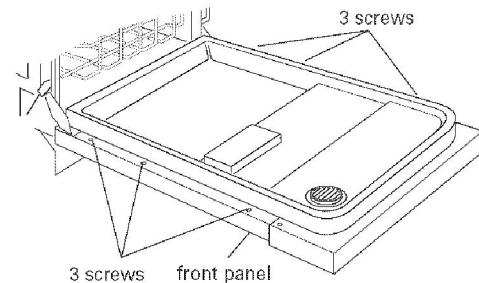
**IMPORTANT:** Use a moisture resistant sealer on both sides and all edges of panel to protect from humidity.

**NOTE:** These dimensions are for frameless custom panel models with a 4-inch (10.2 cm) console only.

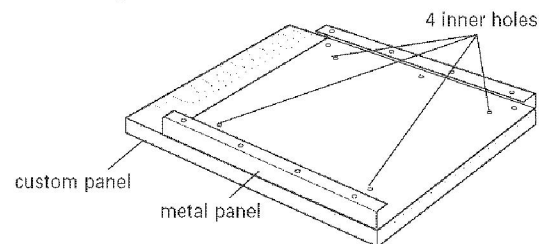


\*This dimension is for 4" (10.2 cm) toe kick. If the installation needs a higher toe kick, adjust the height of the wood panel accordingly. Not recommended for toe kicks greater than 6" (15.2 cm).

1. To install the custom panel, first remove metal front panel from door.
  2. With TORX® screwdriver, remove lower three screws from both sides of inner door.
  3. Hold panel up while removing screws.
- NOTE:** Some models have four screws per side.



4. Lay metal panel on back of custom panel.
5. Align top edge of custom panel with top edge of metal panel, and center it side to side.
6. Mark the position of four inner holes on custom panel.



7. Drill four 3/32" holes in custom panel at marked positions.
8. Attach custom panel to metal panel with four #10 x 1/2" wood screws (not supplied). (If the custom panel is less than 3/4" (1.9 cm) thick where the screws are attached, shorter screws may be required.)
9. Reattach the assembled panels to dishwasher door.

## Choose attachment option

### **WARNING**

#### Excessive Weight Hazard

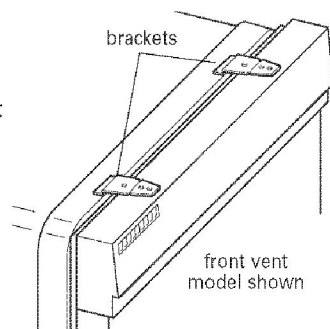
Use two or more people to move and install dishwasher.  
Failure to do so can result in back or other injury.

Using two or more people, stand the dishwasher up.

#### Option 1: Countertop attachment

The dishwasher must be secured to the cabinet. There are two brackets on top of the dishwasher that can be attached to the countertop if it is wood, laminate or other similar surfaces. If this is not possible, the brackets may be moved to the sides of the dishwasher.

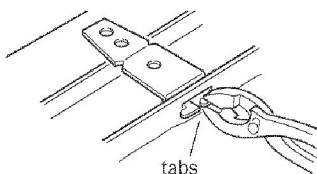
**NOTE:** Do not attach the dishwasher, this will be done later.



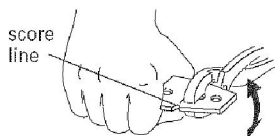
#### Option 2: Dishwasher side attachment

(for marble, granite or other hard surface countertop)

1. To remove the brackets from the top, flatten tab at back of brackets with pliers, and pull the brackets out of the slots.

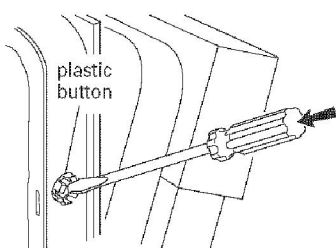


2. Break off the end of the bracket along the scored line.



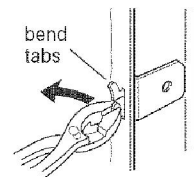
3. Open dishwasher door and place towel over pump assembly and spray arm of dishwasher. This will prevent screws from falling into pump area when securing dishwasher to cabinet.
4. Push the plastic buttons out of the side of the tub.

**NOTE:** Save the buttons to cover the holes after dishwasher is installed.



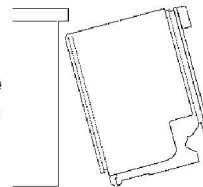
5. Push bracket into slot on the side of dishwasher, and bend tab in towards the side of the dishwasher so that it keeps the bracket in place.

**NOTE:** Do not attach the dishwasher, this will be done later.



## Move dishwasher into cabinet opening

1. Grasp the sides of the dishwasher at the edges of the door panel.
2. Tilt dishwasher backwards on wheels and move dishwasher close to cabinet opening. Do not push on the front of the panel or on the console—they may dent.
3. If dishwasher has a power supply cord, insert power supply cord into hole cut into cabinet.  
If using direct wire, check that it is on the right front side of opening.
4. Check that water line is on the left side of opening and drain hose is near the center of the hole in the cabinet.
5. Slowly move dishwasher completely into cabinet opening. Do not kink or pinch copper tubing, drain hose, power supply cord or direct wire between dishwasher and cabinet.



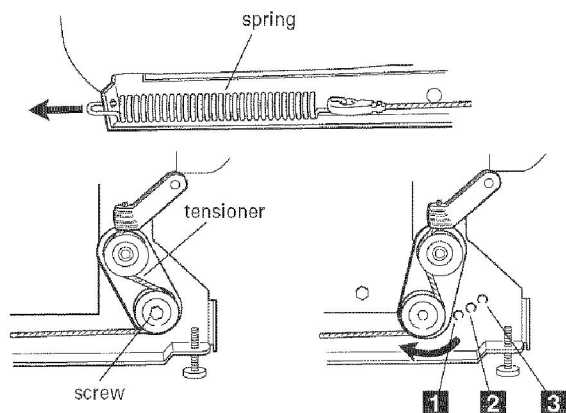
**Helpful Tip:** Once the dishwasher is in position, you may have to support the front of the dishwasher by raising, lowering or shimming front feet.

6. Remove cardboard from under dishwasher.

**NOTE:** It is all right if dishwasher fits tightly into cabinet opening. Do not remove insulation blanket—the blanket reduces the sound level.

## Check door spring tension

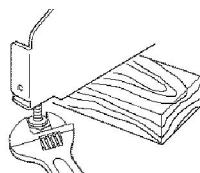
1. With another person holding the dishwasher to prevent it from tipping, open and close the door a few times. If the door closes or falls open under its own weight, the door tension will need to be adjusted.
2. To adjust the door spring tension, unhook the spring from the rear leg of dishwasher.
3. With a 5/16" nut driver or hex socket, remove the screw from the tensioner.
4. The screw can be put into one of three holes **1**, **2**, **3** in front leg of dishwasher. If the door closes by itself, move the tensioner to a higher number hole and replace screw. When door is unlatched, if it opens by itself, move tensioner to a lower numbered hole and replace screw.
5. Re-attach door spring to rear leg. Tensioners on both sides of dishwasher should be secured at same holes.



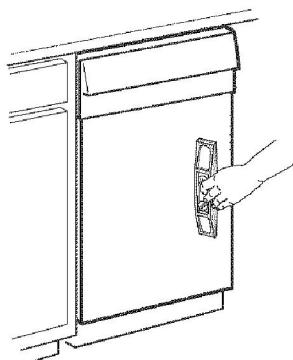
## Level the dishwasher

1. Align front of dishwasher door panel with cabinet doors. You may need to adjust alignment to be even with your cabinets.

**Helpful Tip:** Prop up one side of frame to hold dishwasher up off floor when adjusting front legs.



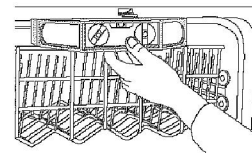
2. Check that leveling legs are firmly against the floor.
3. Close and latch the door, and place level against the front panel. Check that dishwasher is plumb. If needed, adjust leveling leg or add shims under rear wheel until dishwasher is plumb.



4. Repeat for other side of dishwasher.

**NOTE:** Shims must be securely attached to floor to prevent their movement when the dishwasher is operated.

5. Place level against top front opening of tub. Check that dishwasher is level from side to side. If dishwasher is not level, adjust front legs up or down until dishwasher is level.



## Make Electrical Connection

Check "Electrical requirements" section.

You need to:

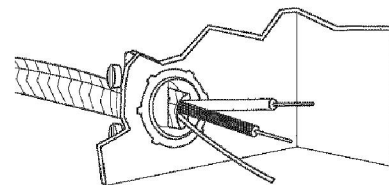
- have the correct electrical supply and recommended grounding method.

If you are:

- direct wiring, use Option 1
- using a power supply cord, use Option 2

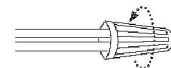
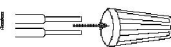
### Option 1: Direct wire method

1. Route direct wire so that it does not touch dishwasher motor or lower part of dishwasher tub.
2. Pull direct wire through hole in terminal box.



### Helpful Tip:

- Select the proper size twist-on connectors to connect your household wiring to 16-gauge dishwasher wiring.
- Insert wire ends into twist-on connector. Do not pre-twist bare wire.
- Twist connector.
- Gently tug on wires to be sure both are secured.



3. Connect the wires as follows using twist-on connectors sized to connect direct wire to 16-gauge dishwasher wire:

Power supply wire:	Terminal box wire:
white	white
black	black
ground wire	ground connector

## ⚠ WARNING



### Electrical Shock Hazard

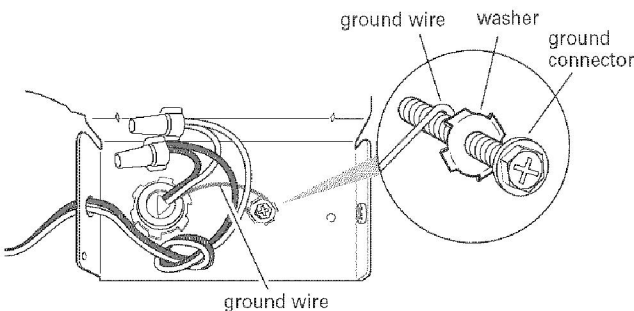
Electrically ground dishwasher.

Connect ground wire to green ground connector in terminal box.

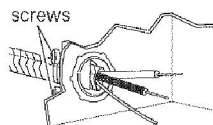
Do not use an extension cord.

Failure to follow these instructions can result in death, fire, or electrical shock.

4. Form bare ground wire into a U-shaped hook. Wrap ground wire hook clockwise around ground connector and under the washer.
5. Securely tighten ground connector. Do not untie knot in the wires.

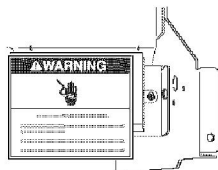


6. Tighten clamp connector or conduit connector screws.



7. Reinstall terminal box cover with wires inside terminal box.

The cover must be outside the box on the left side.



8. Make sure no wires are pinched by cover.

## Option 2: Power supply cord method

## ⚠ WARNING



### Electrical Shock Hazard

Plug into a grounded 3 prong outlet.

Do not remove ground prong.

Do not use an adapter.

Do not use an extension cord.

Failure to follow these instructions can result in death, fire, or electrical shock.

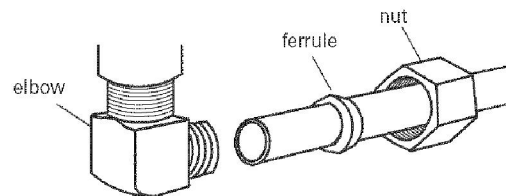
1. Plug into a grounded 3 prong outlet.
2. Check that power supply cord does not touch dishwasher motor or lower part of dishwasher tub.

## Connect to water supply

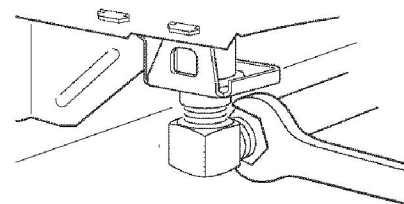
### Helpful Tip:

Compression fittings:

- a. Slide nut onto copper tubing about 1" (2.5 cm).
- b. Slide ferrule onto the tubing. Do not position ferrule on the end of the tubing.
- c. Put the tubing into the elbow as far as it will go.
- d. Slide the nut and ferrule forward and start the nut onto the elbow threads. Be gentle when handling and positioning the copper tubing, it bends and kinks easily.



1. To prevent vibration during operation, route the water supply line so that it does not touch the dishwasher base, frame or motor.
2. With copper tubing pushed into compression fitting as far as it will go, use a wrench and tighten compression fitting nut to elbow on water inlet valve.

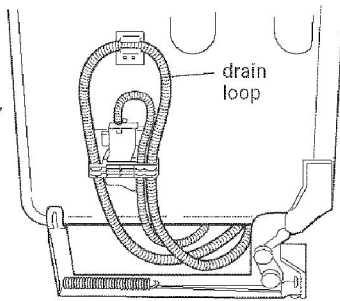


3. Place paper towel under elbow. Turn on water supply and check for leaks.

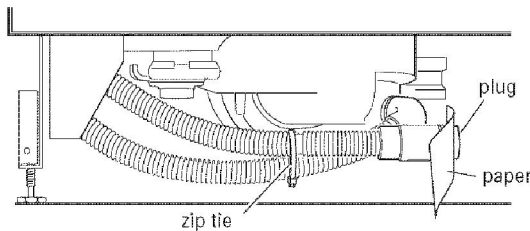


## Connect to drain

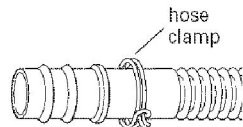
1. To help minimize vibration, route drain hose to avoid contact with motor, door springs, water line, cabinet, flooring or the edge of the hole where it passes through the cabinet.
2. Do not remove drain loop from side of dishwasher.
3. Place pan under end of drain hose. Pan will collect any water in drain hose.
4. Remove plug and paper from drain connector.



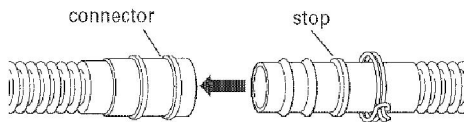
**NOTE:** Cutting the zip tie holding the end of drain hose in place may make maneuvering the drain hose easier during installation.



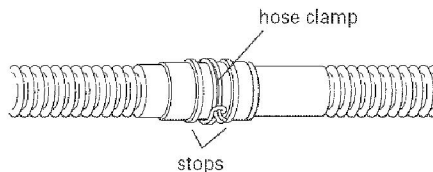
5. Place the smaller drain hose clamp onto the small end of the drain hose.



6. Push the drain hose into the connector up to the stop on the drain hose.

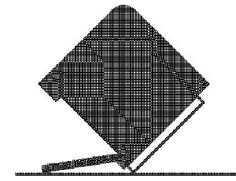


7. Use pliers to open clamp and slide clamp onto connector between stops on connector as shown.



## Secure dishwasher in cabinet opening

### ⚠ WARNING



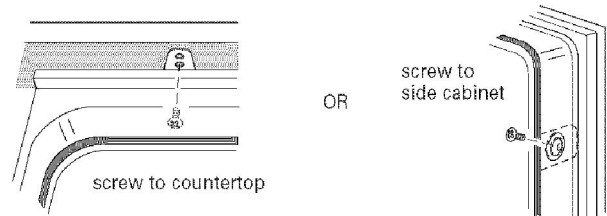
#### Tip Over Hazard

Do not use dishwasher until completely installed.

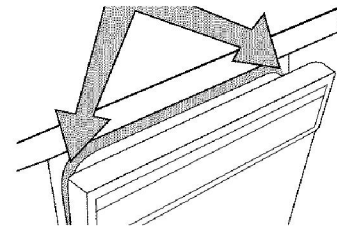
Do not push down on open door.

Doing so can result in serious injury or cuts.

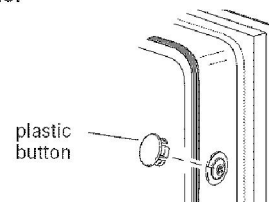
1. If you have not already done so, open dishwasher door and place towel over pump assembly and spray arm of dishwasher. This will prevent screws from falling into pump area when securing dishwasher to countertop.
2. Check that dishwasher is still level and centered side to side in the opening.
3. Secure dishwasher to countertop or sides of cabinet with two, #10 x 1/2" Phillips-head screws. The dishwasher must be secured to keep it from tipping when door is opened. Do not drop screws into bottom of dishwasher.



4. Open door about 3 inches (7.6 cm) and check that space between inner door and tub is equal on both sides. If spacing is not equal, loosen bracket screws and shift tub. Tighten bracket screws.
5. Check that top of door does not contact screws, brackets, or countertop. If it does, dishwasher must be lowered and re-levelled.



6. If securing to sides of cabinet, replace the plastic buttons.

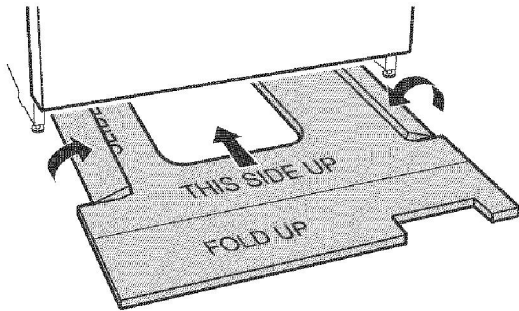


7. Remove towel from dishwasher.
8. Reinstall the lower dishrack.

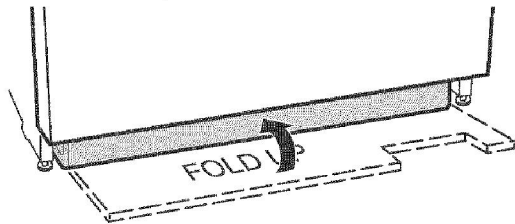
## Bottom sound pad installation (on some models)

1. Remove the bottom sound pad from inside the dishwasher and take it out of the plastic bag.
2. Place pad on the floor in front of the dishwasher, making sure lettering is facing up and vinyl pad faces down.
3. Fold up and hold the side panels down. Carefully slide the pad toward the back of the dishwasher as far as it will go, making sure not to push or pull any wires or hoses. (Do not force.) Side panels will open to proper position.

**NOTE:** If there are pipes or other obstructions coming up through the floor, you will need to cut a slit in the pad to fit around the obstacle.

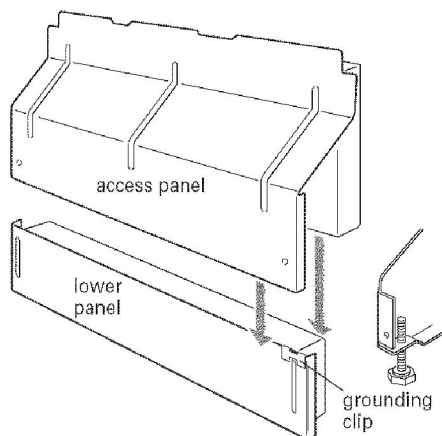


4. Fold the front end of the pad up into position. Make sure the vinyl pad is tucked up behind the door and the dishwasher front legs, as shown.

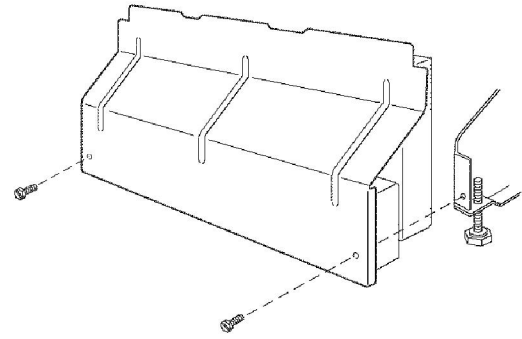


## Complete installation

1. Check that grounding clip is attached to the lower panel.
2. Place the lower panel behind the access panel. Some models have insulation on the access panel which must fall behind the insulation on the lower panel.



3. Hold the two panels together and place them against dishwasher leg.
4. Reinstall the screws through the holes in the access panel and the slots in the lower panel. Install right side screw first.



5. Check that the lower edge of the lower panel contacts the floor.
6. Tighten the screws.

### Direct wire method:

## ⚠ WARNING



### Electrical Shock Hazard

Electrically ground dishwasher.

Connect ground wire to green ground connector in terminal box.

Do not use an extension cord.

Failure to follow these instructions can result in death, fire, or electrical shock.

### Power supply cord method:

## ⚠ WARNING



### Electrical Shock Hazard

Plug into a grounded 3 prong outlet.

Do not remove ground prong.

Do not use an adapter.

Do not use an extension cord.

Failure to follow these instructions can result in death, fire, or electrical shock.

7. Reconnect power or plug in dishwasher.

